

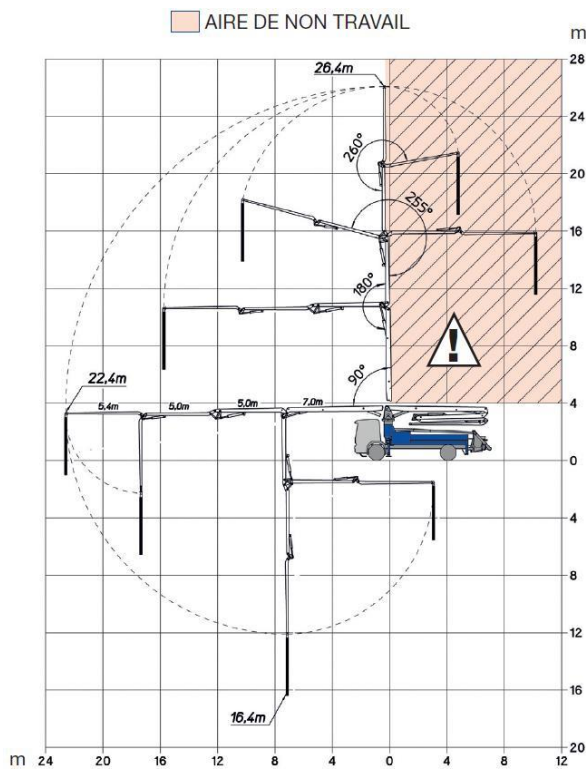
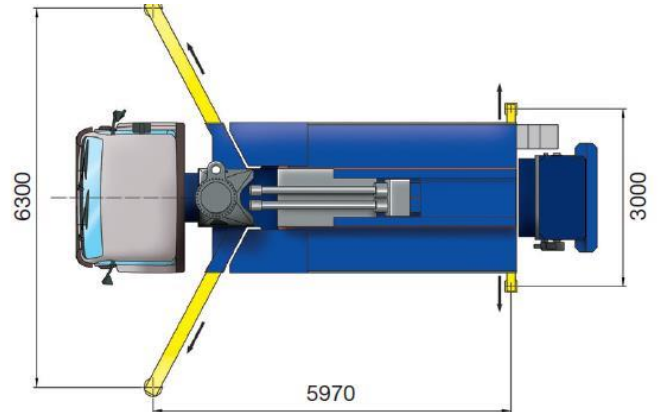


ZENITH 4Z27

Pompgroep - Specificaties

SCL 150 AHP

Th. Concrete output	83 m ³ /h
Concrete pressure	81 bar
Number of strokes	28
Piston diameter	200 mm
Stroke length	1600 mm
Powered by	PTO
Concrete hopper	600l



Giek - Specificaties

4Z38

Number of sections	4
Folding type	Z
Max vertical reach	26,4 m
Max horizontal reach	22,4 m
Max downward reach	16,4 m
Unfolding height	6,0 m
Rotation	370°
Section articulation	90°-180°-255°-260°
Concrete pipeline	125 mm

