

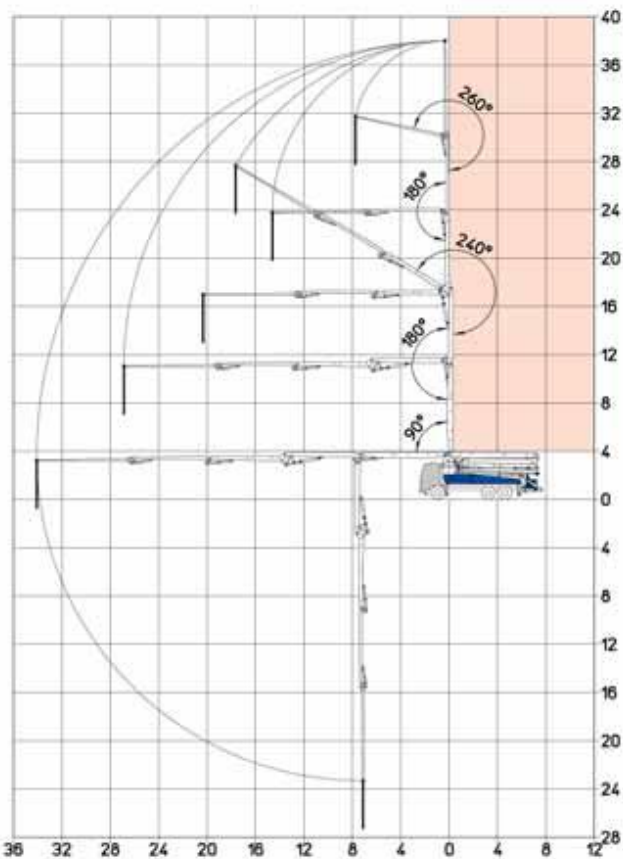
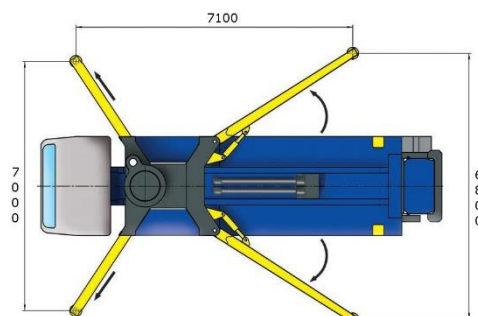
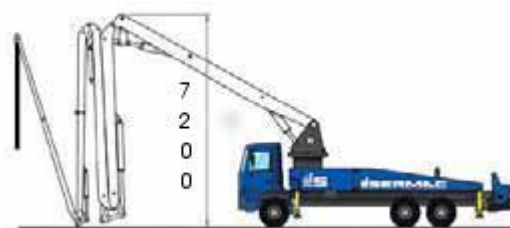
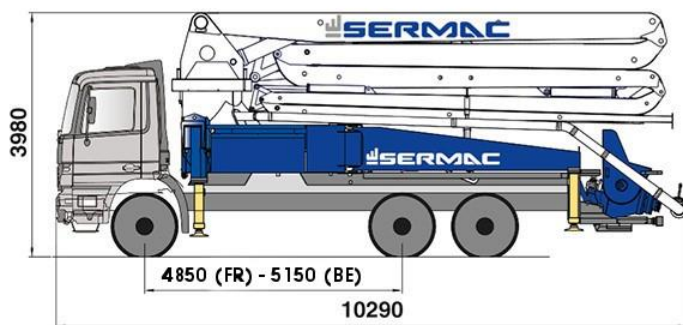


ZENITH 5Z38

PUMPING UNIT - specifications

SCL 150 AHP

Th. Concrete output	150 m ³ /h
Concrete pressure	85 bar
Number of strokes / minute	30
Piston diameter	230 mm
Stroke length	2000 mm
Powerd by	PTO
Concrete hopper	600l



BOOM - specifications

5Z38

Number of sections	5
Folding type	Z
Max vertical reach	37,35 m
Max horizontal reach	33,35 m
Max downward reach	26,3 m
Unfolding height	7,2 m
Rotation	370°
Section articulation	90°-180°-240°-180°-266°
Concrete pipeline	125 mm